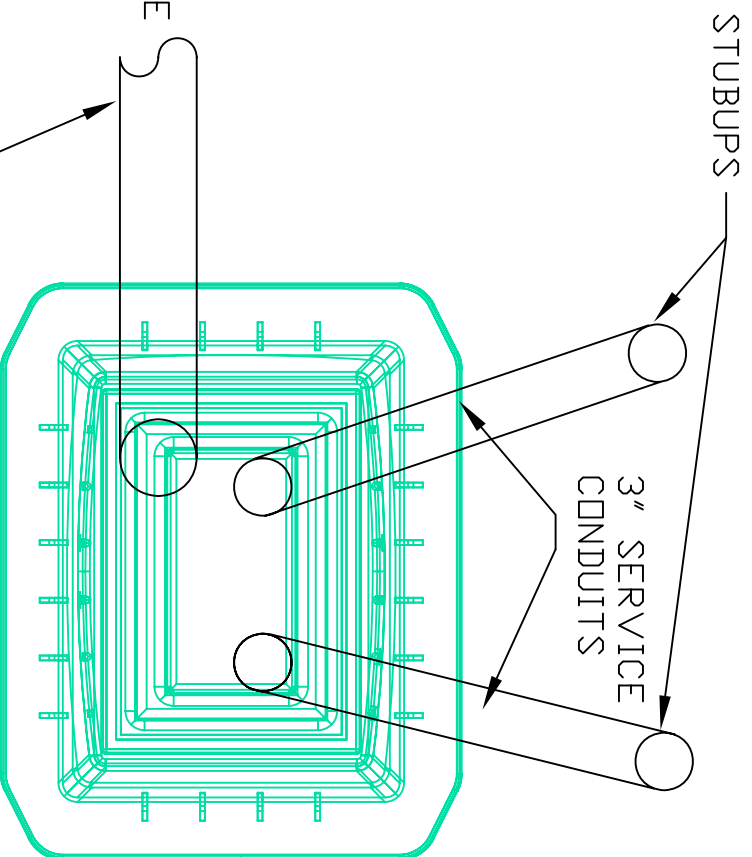


1" = 20'



1" = 10'

REVISIONS

SECONDARY PEDESTAL INSTALLATION

	DRAWN BY: CJI	APPROVED BY: CWF	FILE NO.:
	DATE: 10-09-07	SCALE: N.T.S.	